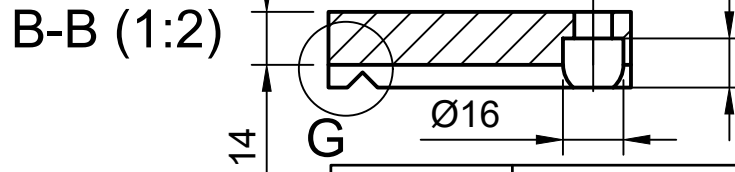
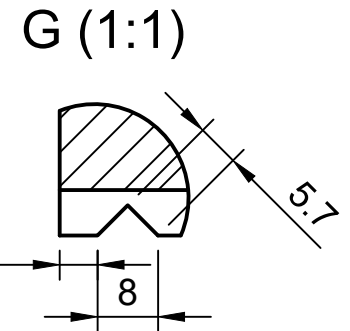
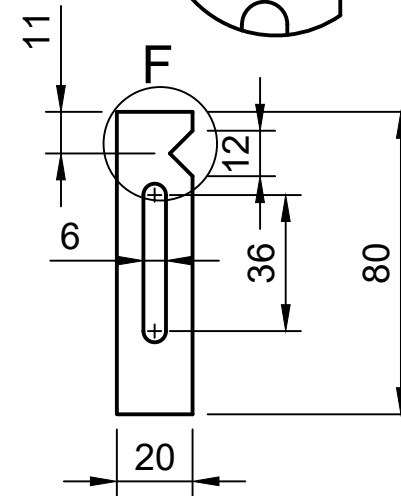
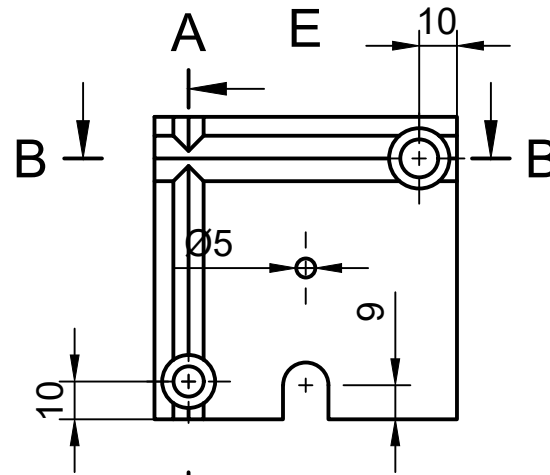
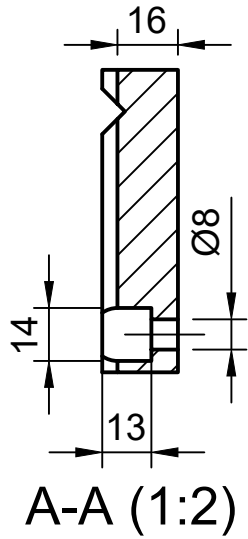
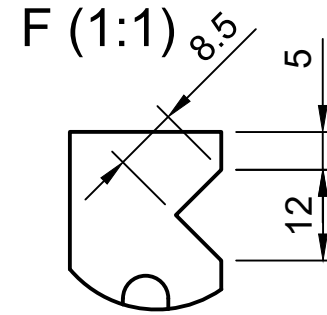
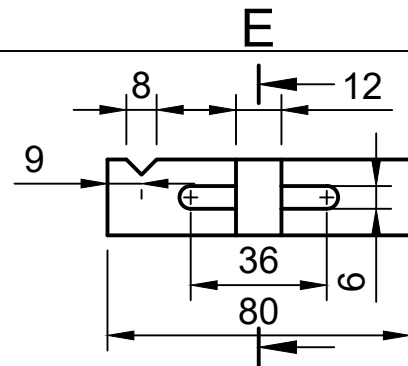
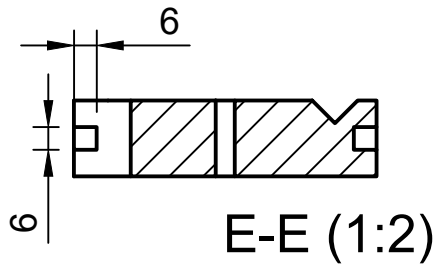
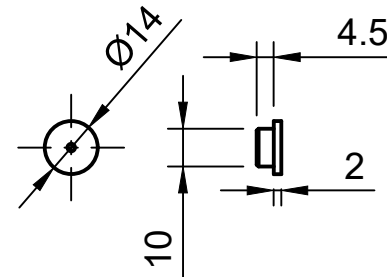
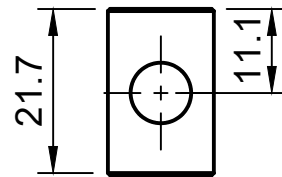
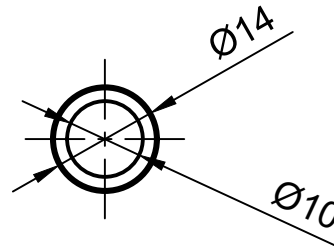
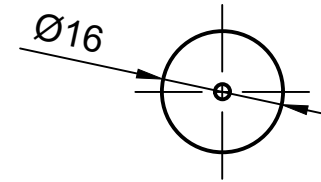
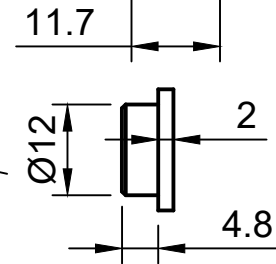
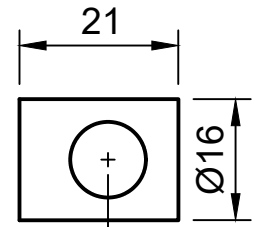
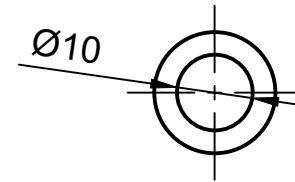
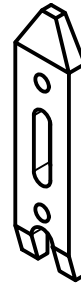
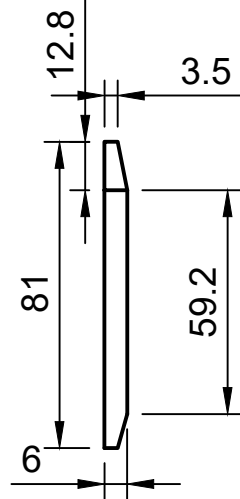
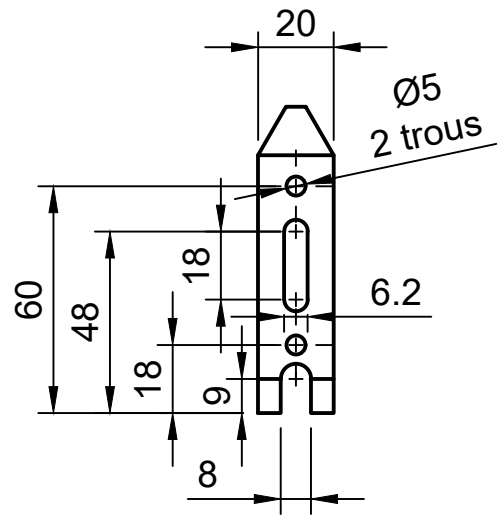


Dept.	Technical reference	Created by Patrick Leclere 14/07/2020	Approved by	
		Document type	Document status	
		Title Finger clamp Base v16	DWG No.	
		Rev.	Date of issue	Sheet 1/3



Dept.	Technical reference	Created by Patrick Leclere 14/07/2020	Approved by	
		Document type	Document status	
		Title Finger clamp Base v16	DWG No.	
Rev.	Date of issue	Sheet 2/3		



Dept.	Technical reference	Created by Patrick Leclere 14/07/2020	Approved by	
		Document type	Document status	
		Title Finger clamp Base v16	DWG No.	
Rev.	Date of issue	Sheet 3/3		